



AVAILABLE  
 IN MULTIPLE  
 CONFIGURATIONS

# BT8373

## UNIVERSAL FREESTANDING CURVED VIDEO WALL STAND

Designed to create curved videowalls, the BT8373 is a freestanding mounting solution with a universal design suitable for all videowall screens from 39" to 70". As part of B-Tech's dynamic System X range, this contemporary mounting solution is lightweight yet incredibly strong, has a high-end aesthetic quality and comes with important time saving features such as integrated angle guides, tool-less micro-adjustment and a universal screen position spacer to speed up the installation process.

SHOWN IN A 4X2  
 CONFIGURATION



SPECIFICATION	
For screen sizes	39" - 70"
Max load	50kg per screen
Angle adjustment range	+/- 45°
VESA® & non-VESA fixings	up to 900mm
Colour (base & VESA arms)	Black
Colour (columns)	Black or Silver

### FEATURES

- Configurable mounting solution available to order to your requirements, from stock - see configurator info
- Universal design suitable for all videowall screens
- High-end aesthetic quality
- Easy to use angle adjustment - set before or after installation
- Integrated angle guides eliminate the need to measure required angles
- Integrated rail mounting guides ensure the join position is consistent throughout the installation without the need to measure
- Tool-less micro-adjustments for seamless screen alignment
- Also available with pop-out interface arms
- Heavy duty freestanding base allows columns to be individually assembled and positioned, for an easy installation
- Supplied with adjustable levelling feet to accommodate uneven floor surfaces
- Integrated cable management
- Universal screen position spacer to speed up the installation process
- Safety screws help prevent unauthorised removal of screens
- Simple installation with all mounting hardware included

SYSTEM X

70" 177CM VESA 900 50KG PER SCREEN



Angle up to +/-45° to create a concave or convex curved videowall



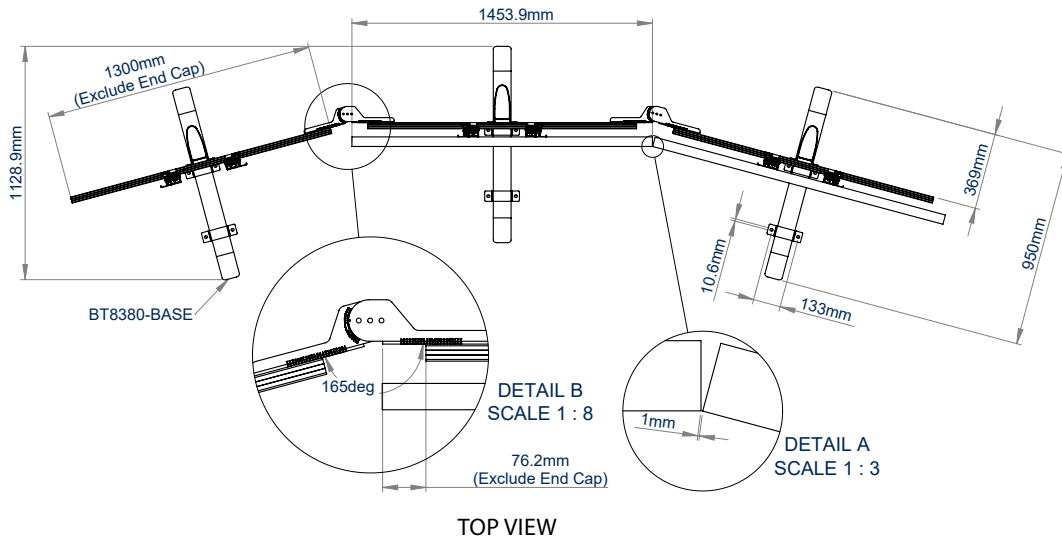
Tool-less micro-adjustment for seamless screen alignment



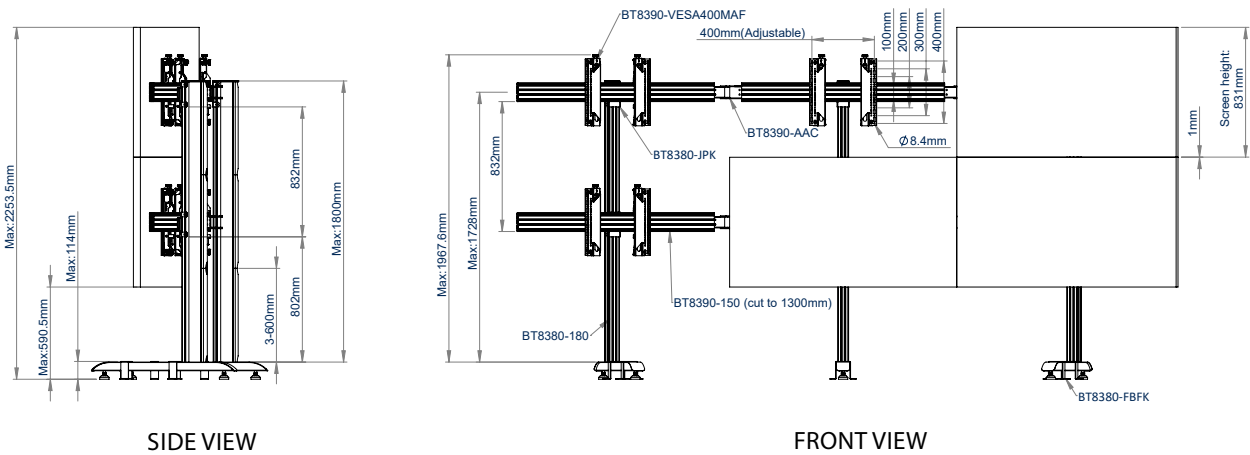
Supplied with BT8390-VESA400MAP pop-out arms



Integrated cable management covers hide untidy cables and add to the stylish finish



TOP VIEW



SIDE VIEW

FRONT VIEW

**PACKING INFORMATION**

PLEASE NOTE, THIS IS A **MULTI-BOX** ITEM

COLOUR:	ORDER REF:	EAN CODE:
Black / Black	BT8373/BB	5019318301445
Black / Silver	BT8373/BS	5019318301452

ORIGINAL DESIGNS BY B-TECH AV MOUNTS - REGISTERED DESIGNS & PATENTS APPLY

**ACCESSORIES AND RELATED PRODUCTS**



**BT8370**  
Universal Videowall Stand suitable for all videowall screens

**BT8376**  
Universal Freestanding Curved Videowall Mount suitable for all videowall screens

**BT7032 / BT7033 / BT7863**  
AV Accessory Shelves can be attached directly to a vertical column

**BT8374**  
Universal Mobile Curved Videowall Stand available to order to your requirements

© 2016 B-Tech Av Mounts. All rights reserved. The information in this specification is for reference only. B-Tech Av Mounts and its logo are registered trademarks of B-Tech Av Mounts Design & Manufacturing Ltd. We reserve the right to change the technical or physical specifications without notice. This is not a contract. B-Tech Av Mounts is not responsible for any damage caused by improper or misuse of its products. Any reproduction or transmission or replication of any part of this specification is strictly prohibited unless prior written permission has been granted by B-Tech Av Mounts Design & Manufacturing Ltd. (B-Tech Av Mounts).

SS-V2-BT8373-090919